

PHC® Plant Saver® 4-7-4

PHC Plant Saver 4-7-4 is a sophisticated planting product used in establishing or maintaining most plants, including: trees, shrubs, annuals and perennials. It contains a blend of ecto and endomycorrhizal fungal spores, beneficial rhizosphere bacteria, 4-7-4 fertilizer, organic amendments, and a comprehensive selection of micronutrients designed to restore soil fertility and address the mineral requirements common to many plants. Plant Saver also contains Myconate®, a naturally occurring stimulant of VA mycorrhizal fungi. **PHC Plant Saver:**

- Provides a sustainable supply of nitrogen, phosphorus and other basic minerals necessary for continuing active plant development
- Increases absorption and transfer of water and mineral nutrients from the soil to the plant
- Helps plants mitigate adverse environmental conditions, such as drought, soil salinity and extremes of soil pH

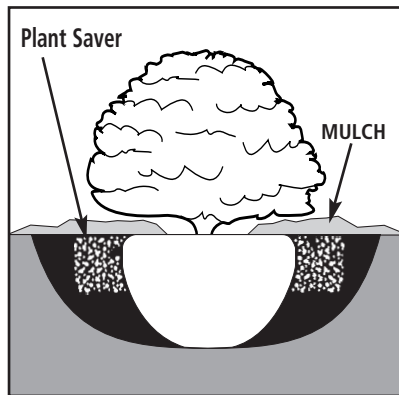
DIRECTIONS FOR USE

LANDSCAPE PLANTING INSTRUCTIONS

For trees, shrubs, perennials, vines & landscape plantings

Thoroughly mix product into backfill at a rate of about 8 ounces of Plant Saver per caliper inch or for each foot diameter of root ball.

1. Mix Plant Saver evenly into the backfill soil next to the root ball in the upper 8-inches of the hole.
2. Pack the treated backfill firmly around the root ball.
3. Mulch and water to soil saturation.



See application rates in adjacent table.

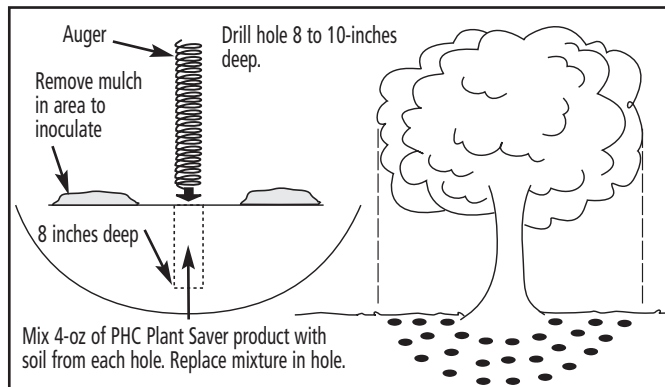
FOR SMALL PLANTS OR BULBS

Add 1 tablespoon (1/2 ounce) per plant, and mix thoroughly with soil in planting hole.

ESTABLISHED TREES AND SHRUBS

Apply as a vertimulch using an earth auger with a width of about 2.5 inches. Mix 4 ounces of product with soil in each hole drilled to a depth of about 8 to 10 inches. Drill numerous holes in a grid pattern with 2.5 foot spacing to cover the entire area beneath the canopy. Avoid damaging large roots.

22 pound box treats 550 sq ft by vertical mulching or 44 1-inch caliper transplants.



MYCORRHIZAL FUNGI PLANTING PRODUCT

GUARANTEED ANALYSIS 4-7-4

NUTRIENT	% By Weight
Total Nitrogen (N)	4%
Available Phosphate (P ₂ O ₅)	7%
Soluble Potash (K ₂ O)	4%
Magnesium (Mg)	3%
Boron(B)	0.02%
Iron (Fe)	3%
Manganese (Mn)	0.7%
Zinc (Zn)	0.4%

*Slowly Available Nitrogen from Ureaformaldehyde

Derived from: Ureaformaldehyde, Calcium Phosphate, Bone Meal, Blood Meal, Fish Meal, Feather Meal, Sulfate of Potash, Iron Sulfate, Magnesium Sulfate, Manganese Sulfate, Zinc Sulfate, Magnesium Sulfate and Sodium Tetraborate.

ECTOMYCORRHIZAL FUNGI 15 Million spores/Lb

13.5 Million spores/Lb *Pisolithus tinctorius*
1.5 Million spores/Lb *Scleroderma citrinum*

VA ENDOMYCORRHIZAL (VAM) FUNGI 1024 spores/Lb

256 spores/Lb *Entrophospora columbiana*
256 spores/Lb *Glomus etunicatum*
256 spores/Lb *Glomus clarum*
256 spores/Lb *Glomus intraradices*

MICROBIAL CONTENT 84 Million cfu/Lb

14 Million cfu/Lb *Bacillus licheniformis*
14 Million cfu/Lb *Bacillus megaterium*
14 Million cfu/Lb *Bacillus polymyxa*
14 Million cfu/Lb *Bacillus subtilis*
14 Million cfu/Lb *Bacillus pumilus*
14 Million cfu/Lb *Paenibacillus azotofixans*

Humic acids derived from Leonardite11%
Formononetin0.002%
Fertilizer Ingredients73.308%

INERT INGREDIENTS 15.69%

APPLICATION RATES FOR TRANSPLANTS

1 gallon plant	4 ounces
2 gallon plant	4 ounces
3 gallon plant	8 ounces
5 gallon plant	8 ounces
7 gallon plant	12 ounces
10 gallon plant	16 ounces
15 gallon plant	16 ounces
20 gallon plant	20 ounces
25 gallon plant	24 ounces
Larger size	For each 1 inch caliper, use 8 ounces

STORAGE/SHELF LIFE

This product is stable in cool, dry storage conditions. See expiration date on package.

PACKAGING

10-Lb bag • 22-Lb box • 42-Lb pail

HEALTH AND SAFETY INFORMATION

- In case of allergic reaction(s), treat symptoms and contact physician.
- Avoid breathing dust or spray mist.
- Wash hands after handling.
- In case of ingestion, seek medical attention.
- **Keep out of reach of children.**

TECHNICAL ASSISTANCE

For technical assistance, call 1-800-421-9051
Plant Health Care, Inc.
285 Kappa Drive, Suite 100 • Pittsburgh, PA 15238
Tel: (800) 421-9051 • Fax: (412) 826-5445
www.planthealthcare.com



©2010 PHC 4/10

LIMITED WARRANTY Plant Health Care, Inc. offers for sale the product PHC® Plant Saver® 4-7-4. THERE ARE NO WARRANTIES OF MERCHANTABILITY OR FITNESS FOR A PARTICULAR PURPOSE which extend beyond the description of the product in this specification sheet or other product literature, and liability of Plant Health Care, Inc. is limited to replacement of any product which does not meet these specifications. Suggestions for use and information on results obtained with its use are assumed by the manufacturer to be reliable. Since conditions of use are outside the control of Plant Health Care, Inc. the buyer is responsible for all results, including injury and damage stemming from the use of this product alone or in combination with other materials.